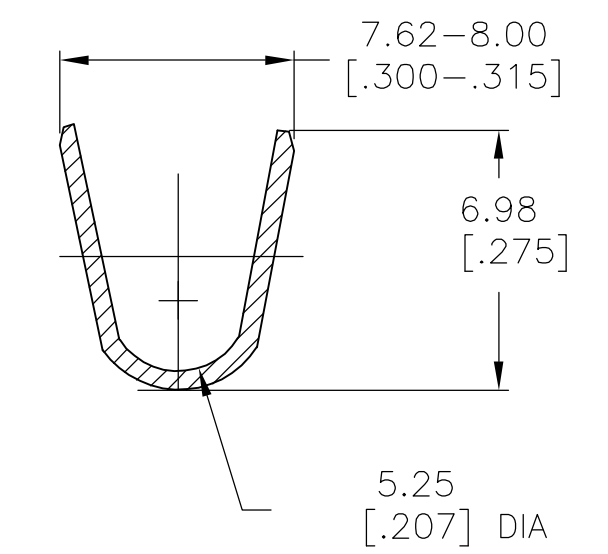
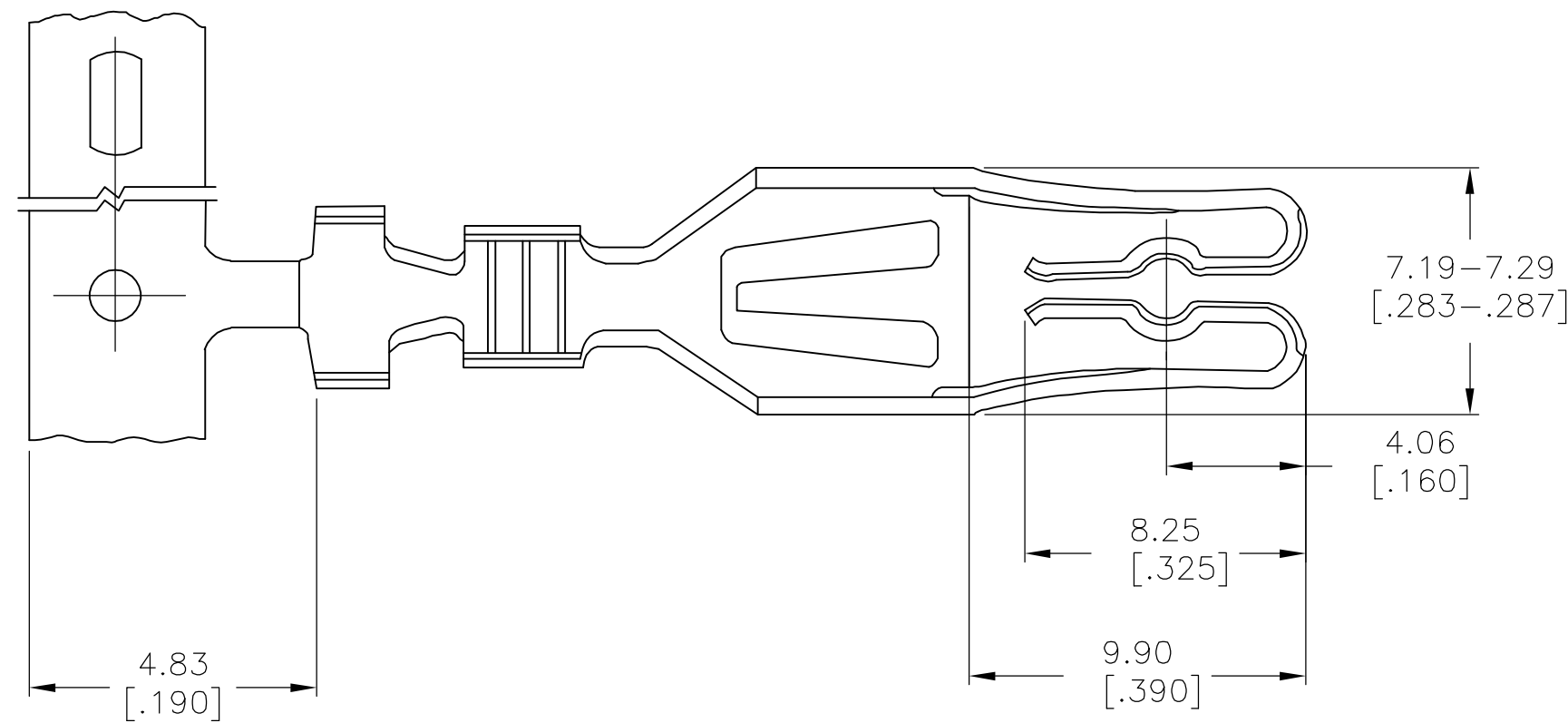
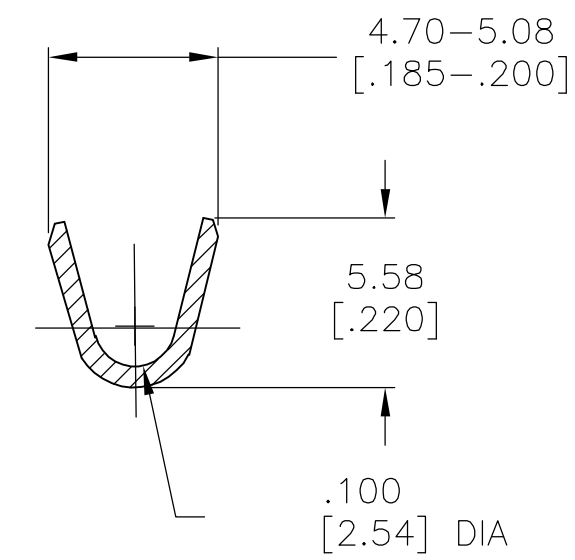


THIS DRAWING IS UNPUBLISHED. RELEASED FOR PUBLICATION  
 © COPYRIGHT BY TYCO ELECTRONICS CORPORATION. ALL RIGHTS RESERVED.

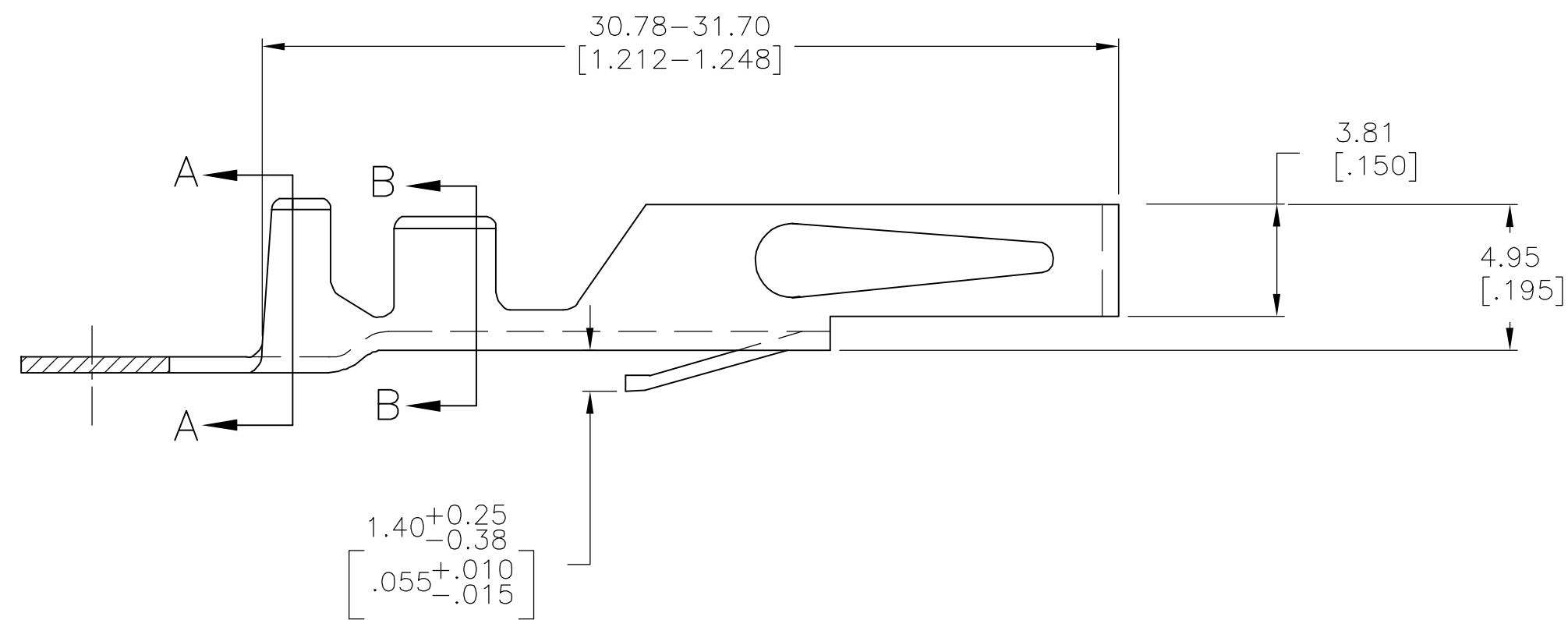
| LOC |     | DIST            |         | REVISIONS |    |  |  |
|-----|-----|-----------------|---------|-----------|----|--|--|
| P   | LTR | DATE            | DWN     | APVD      |    |  |  |
| AD  | 00  |                 |         |           |    |  |  |
|     | H   | EC 0G3C 0067 05 | 24NOV05 | BSV       | MM |  |  |



INSULATION RANGE 4.06-5.33 [.160-.210] SECTION, A-A



WIRE RANGE 10-12 SECTION, B-B



- 1 0.0038[.000150] BRIGHT TIN OVER 0.00076[.000030] NICKEL
- 2 SILVER PLATE .0038[.000150] MIN THK ALL OVER.
- 3 0.0038[.000150] MATTE TIN OVER 0.00076[.000030] NICKEL

|        |            |
|--------|------------|
| 3      | 5-530519-2 |
| 2      | 530519-3   |
| 1      | 530519-2   |
| FINISH | PART NO    |

|  |  |  |           |   |
|--|--|--|-----------|---|
| THIS DRAWING IS A CONTROLLED DOCUMENT.   |  | DWN  | 15 MAY 75 | Tyco Electronics Corporation<br>Harrisburg, Pa 17105-3608 |
| DIMENSIONS: mm [INCHES]  |  | CHK  | 15 MAY 75 |   |
| TOLERANCES UNLESS OTHERWISE SPECIFIED:   |  | APVD   | 16 MAY 75 |   |
| 0 PLC ± -<br>1 PLC ± -<br>2 PLC ± -<br>3 PLC ± .005<br>4 PLC ± -<br>ANGLES ± -<br>FINISH |  | PRODUCT SPEC -<br>APPLICATION SPEC -<br>WEIGHT - |           |   |
| MATERIAL ALLOY CDA-195<br>1/2 HARD   |  | SIZE A2 CAGE CODE 00779 DRAWING NO C=530519      |           | RESTRICTED TO -   |
| FINISH 1 2   |  | CUSTOMER DRAWING                                 |           | SCALE 5:1 SHEET 1 OF 1 REV H                              |